



AKAI

CD/MP3-RECIVER

Model:
ACR-127MMC

SERVICE MANUAL

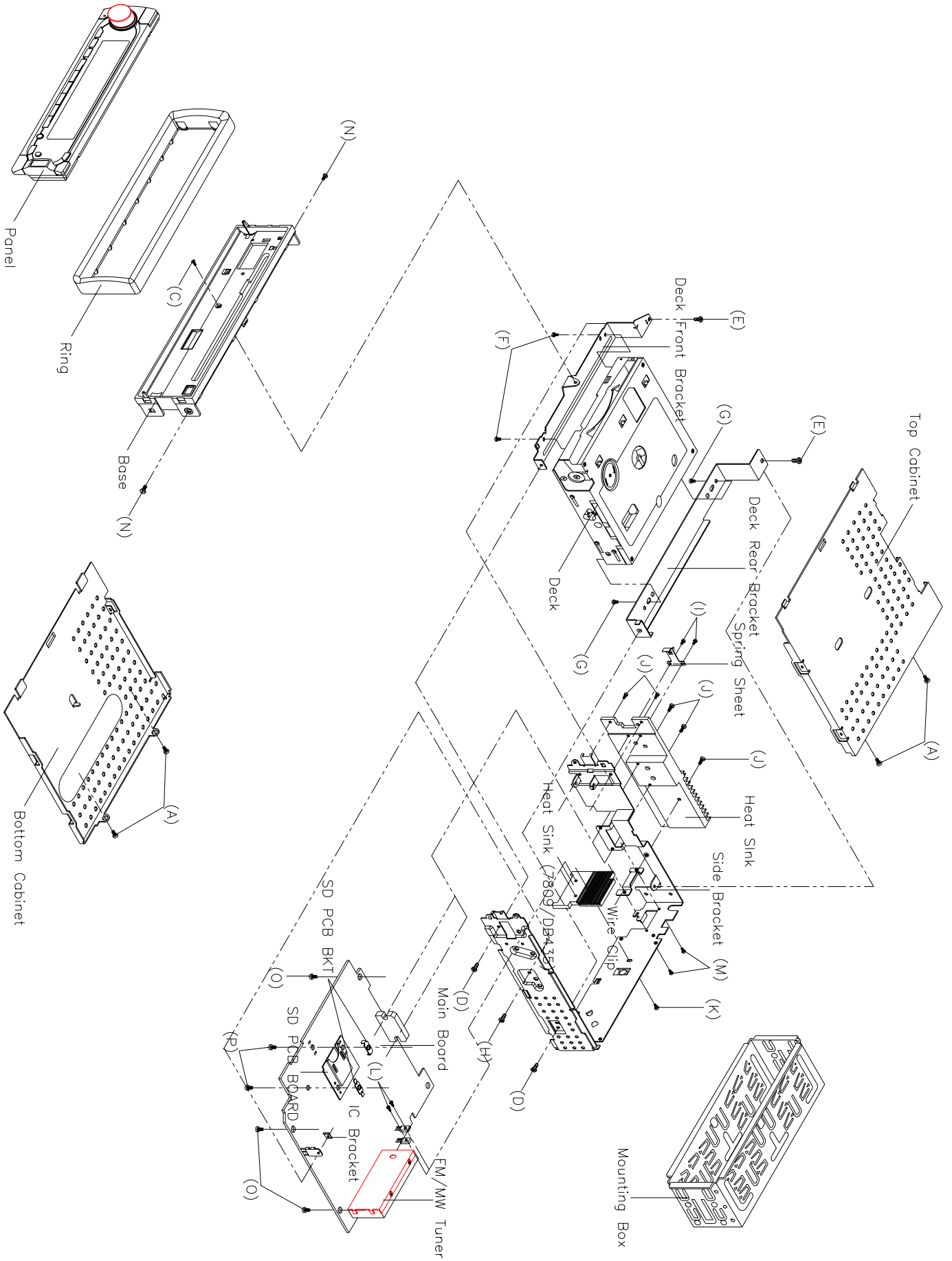
CONTENTS

	Page
Disassembly Instructions	3
Disassembly Diagram	4
Operation Check	5
Block Diagram	6
Alignment Locations	7
Alignment Procedures	8
Printed Circuit Boards	9
Exploded Views (Panel)	18
Exploded View Parts Lists (Panel)	19
Exploded Views (Cabinet)	20
Exploded View Parts Lists (Cabinet)	21
Exploded Views (Deck)	23
Exploded View Parts Lists (Deck)	24
Schematic Diagram	26
Electrical Parts List	29
Specifications	36

DISASSEMBLY INSTRUCTIONS

1. Using the unlock key that came with the unit or a similar tool, unlock the Mounting Box and remove toward the rear of the unit.
2. Remove two screws (A) located on the rear of the top cabinet then remove the Top Cabinet.
3. Remove two screws (B) located on the rear of the bottom cabinet then remove the Bottom Cabinet.
4. Take out the Front Panel and the Ring.
Remove the screws (C) from on the front side of the Base.
5. Remove two screws (D) from on the right side of the side bracket.
Remove two screws (E) from on the left side of the side bracket.
6. Remove two screws (F) from under the deck front bracket then remove the Deck Front Bracket.
Remove two screws (G) from under the deck rear bracket then remove the Deck Rear Bracket and the Deck.
7. Remove the screw (H) from on the right side of the side bracket then remove the IC Bracket.
8. Remove two screws (I) from on the left side of the heat sink then remove the Spring Sheet.
9. Remove three screws (J) from on the left side of the heat sink then remove the Heat Sink.
10. Remove the screw (K) from on the back of the side bracket and remove two screws (L) from on the main board then remove the Heat Sink (7809/DB435).
10. Remove two screws (M) from on the back of the side bracket then remove Wire Clip.
11. Remove two screws (N) from each side of the base then remove the Base.
12. Remove three screws (O) from under the main board then remove the Side Bracket and the Main Board.
13. Remove two screws (P) from under the main board then remove the two SD PCB Bracket an the SD PCB Board.

DISASSEMBLY DIAGRAM



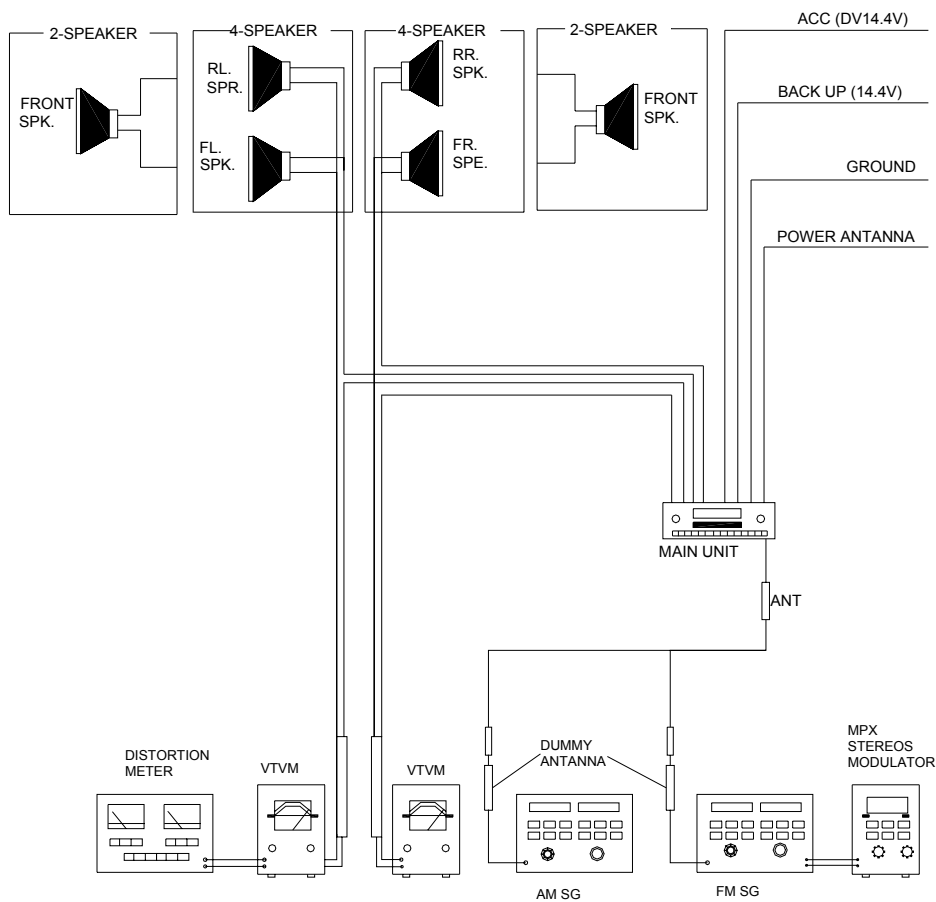
OPERATION CHECK

GENERAL SPECIFICATIONS OF SIGNAL

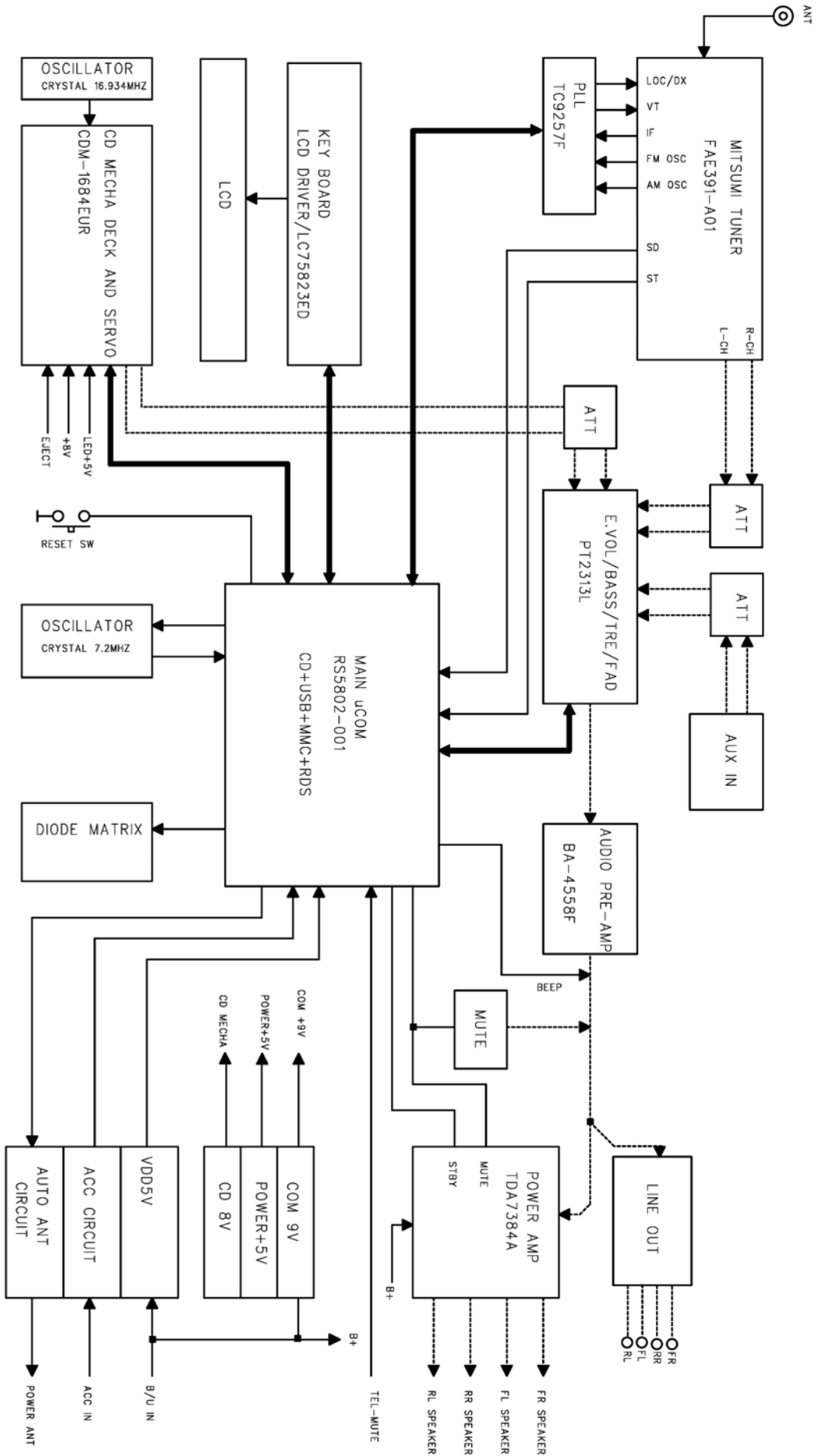
Standard frequency	FM	98.1 MHz (87.5, 108 MHz)
	MW	1000 kHz (522, 1620 kHz)
	LW	200 kHz (144, 288 kHz)
Signal output	FM	1mV
	MW	5 mV
	LW	5 mV
Modulation	MW	400 Hz 30% MOD.
	FM Stereo	1 kHz 75kHz DEV.
		46% for L only or R only pilot level 8%
AF output level	FM/MW/LW	
Power source voltage	DC 14.0V (Backup voltage is the same as this)	
AF load impedance	4 ohm pure resistance	
Balance	Center position of level	
Tone	Center position	

The signal strength read in this section is voltage on the antenna.

Test Diagram

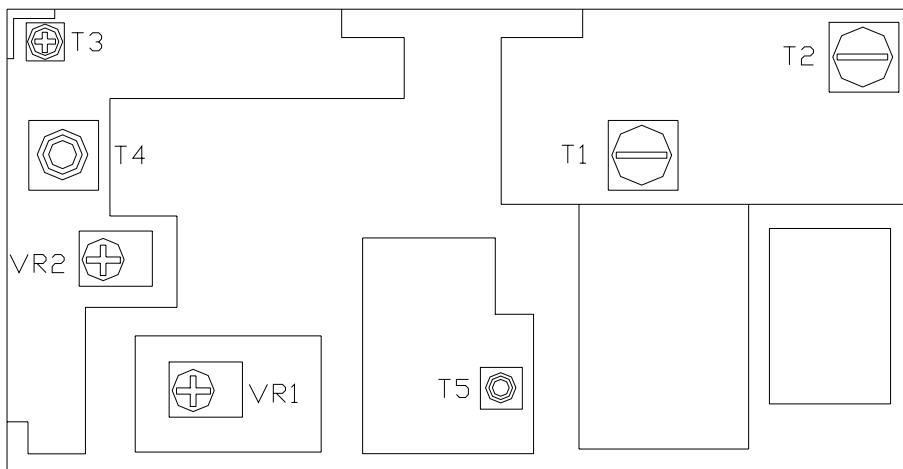


BLOCK DIAGRAM



ALIGNMENT LOCATIONS

FM TUNER BOARD



ALIGNMENT PROCEDURES

FM ADJUSTMENT

Equipment Required

- AM IF/RF signal generator
- Solid-state voltmeter (SSVM)
- Regulated DC power supply
- 2-CH voltmeter
- Distortion meter

FM Alignment Using FM Signal Generator

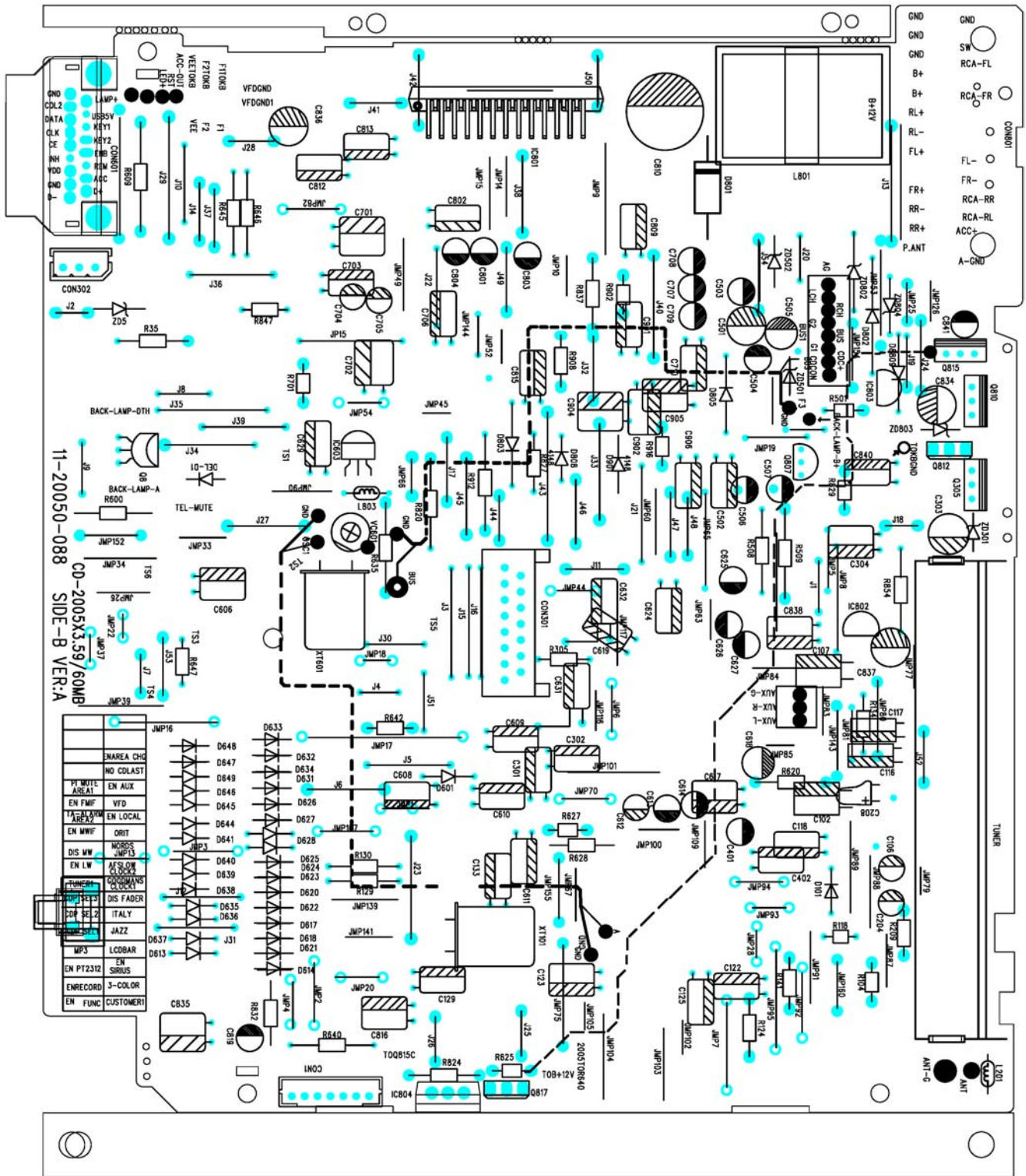
Note: Press the radio power switch to on the radio. Signal generator output must be kept as low as possible to avoid overload and clipping.

Step	Generator Coupling	Generator	Display Setting	Adjustment	Remarks
Stereo Separation	Signal Generator to antenna receptacle	98.1 MHz Int. 1 kHz Dev. 75 kHz L+R = 90 % pilot = 10 %	98.1 MHz	VR1	Adjust AF output power at maximum separating more than 30 dB
FM SNC Adjustment	98.1 MHz Dev. 75 kHz L+R=90 % Int. 1 kHz 60dB μ V output	98.1 MHz @ 40 dB μ	98.1 MHz	VR2	Stereo Separation 25 dB (\pm 5 dB)
Stop Sens.	Signal Generator to antenna receptacle	98.1 MHz Mod. 1kHz Dev 75kHz	98.1 MHz	VR3	Adjust AF to stop station.

Note: The tuner module is well-adjust and adjustment is not recommended.

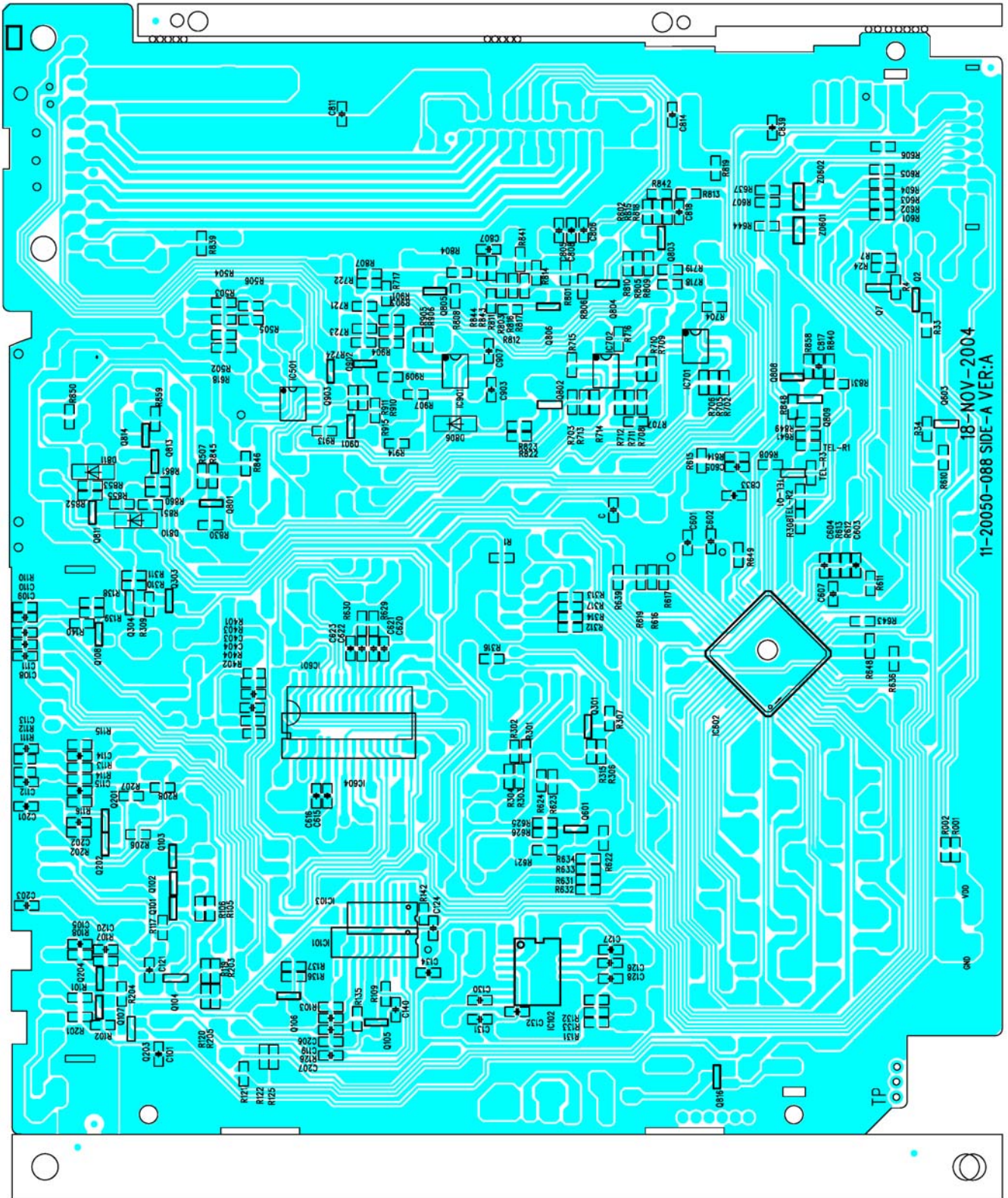
PRINTED CIRCUIT BOARDS

MAIN BOARD



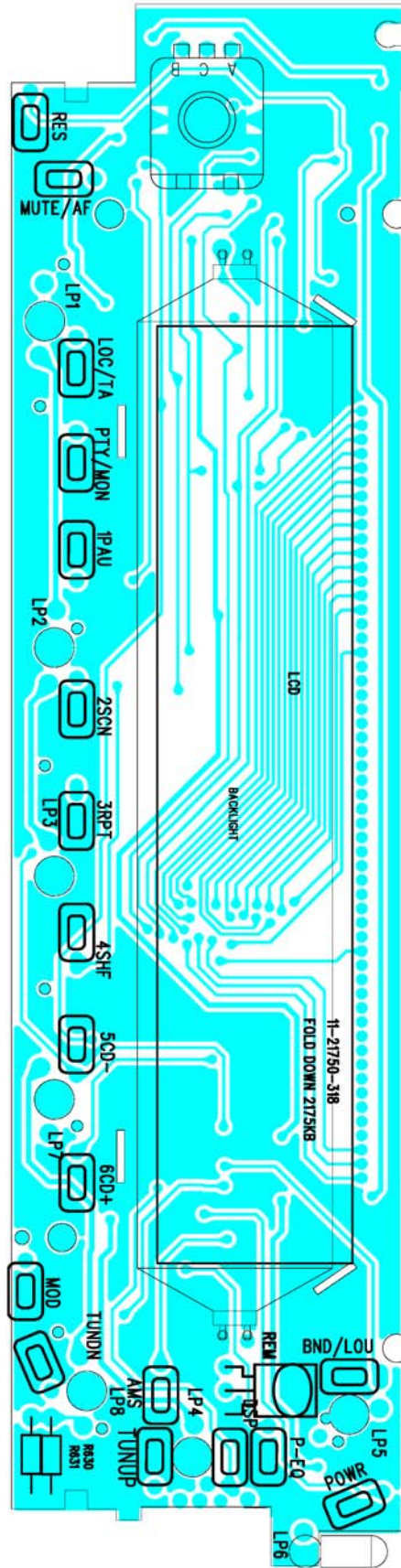
TOP VIEW

MAIN BOARD



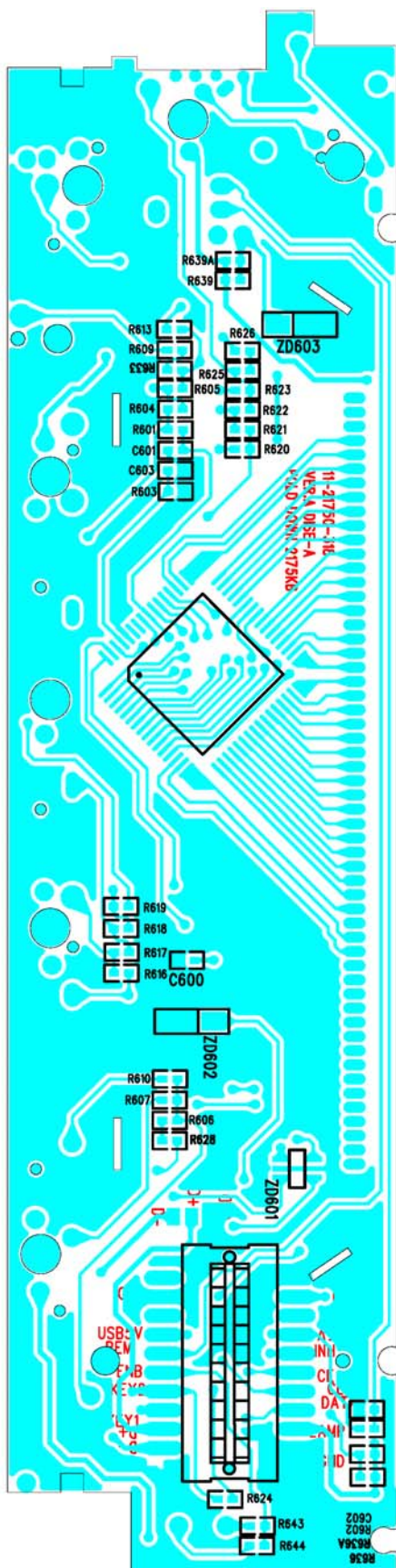
BOTTOM VIEW

KEY BOARD



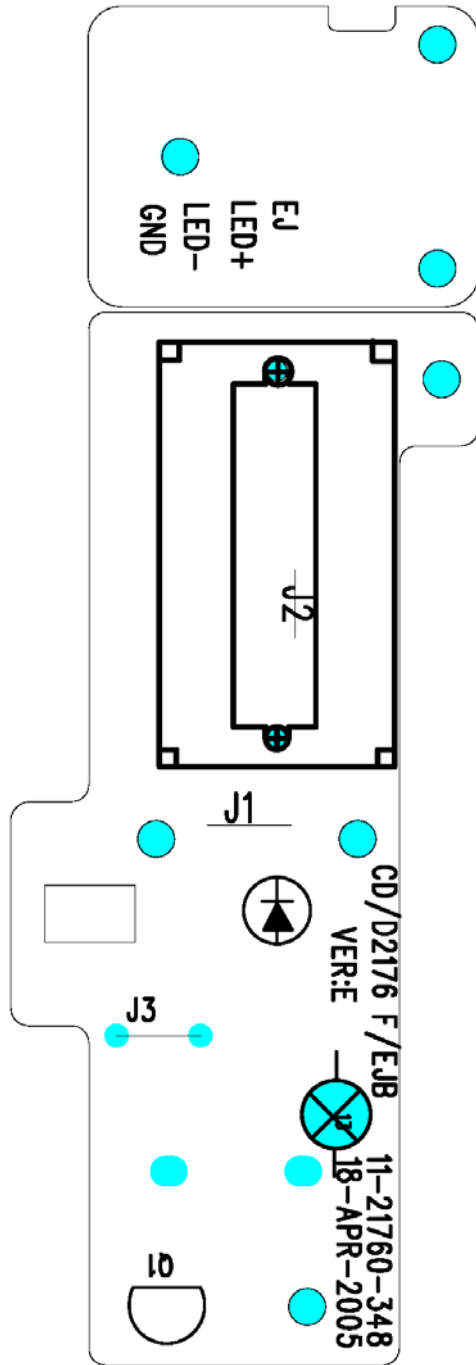
TOP VIEW

KEY BOARD



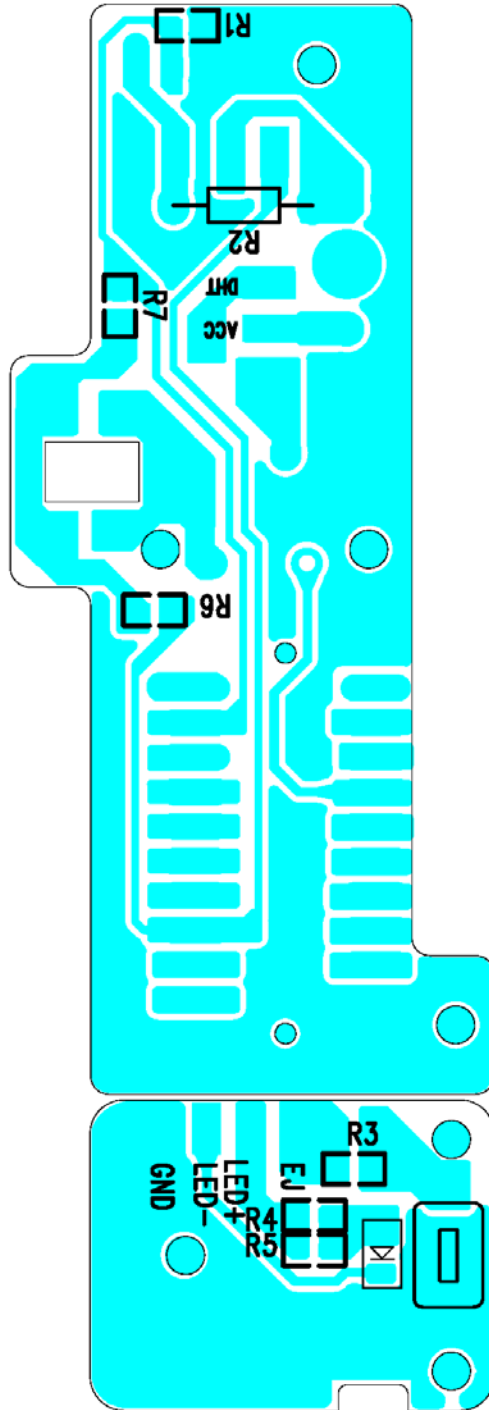
BOTTOM VIEW

FRONT/EJ BOARD



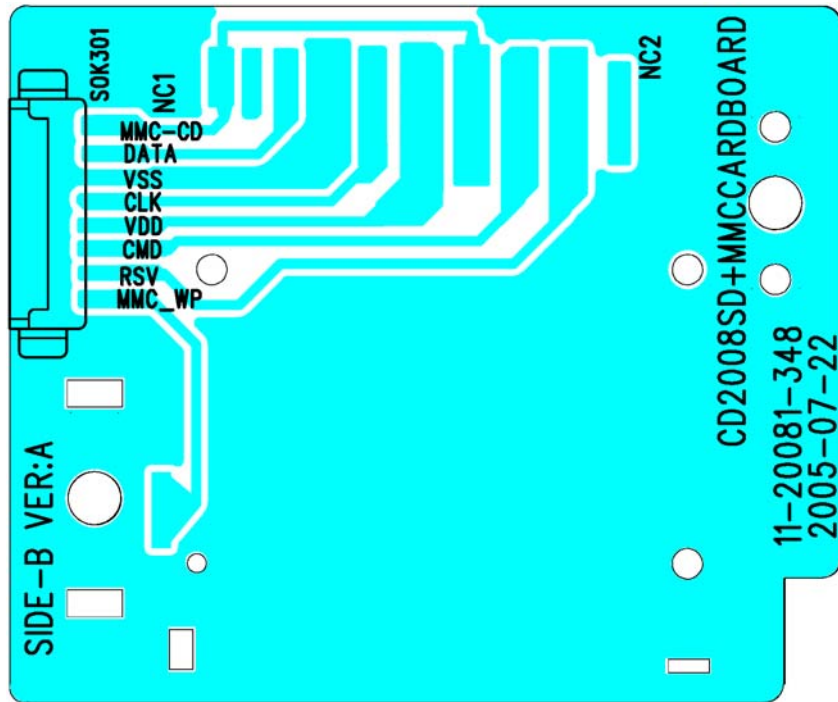
TOP VIEW

FRONT/EJ BOARD



BOTTOM VIEW

SD CARD PCB BOARD



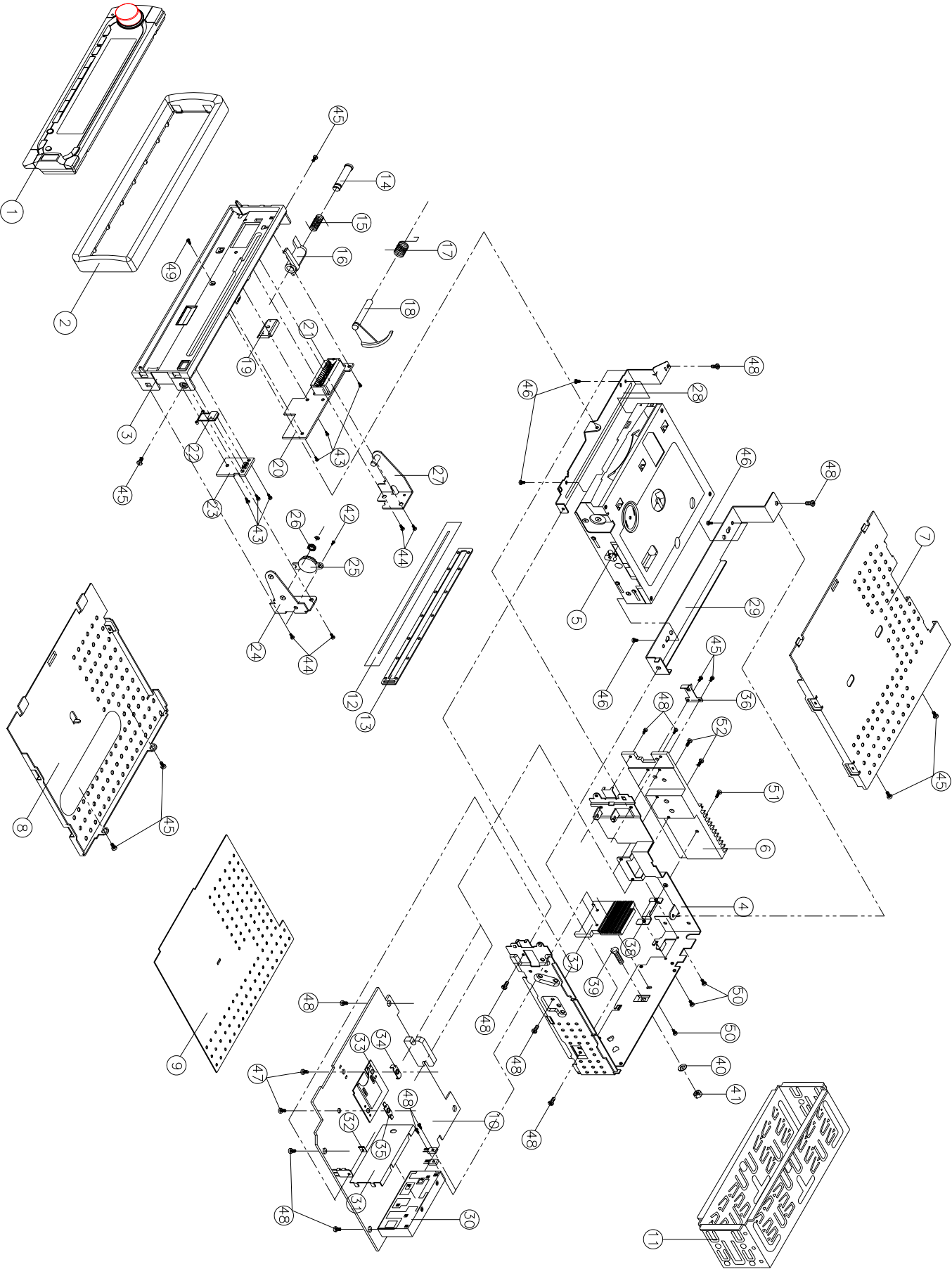
EXPLODED VIEW PARTS LIST

PANEL

Ref. No.	Description	RS Part No.	Mfr's Part No.
1	Lens; (OPC0000) LCD X59.16 N/IR/SW		53-J2122-333
2	Panel -F (OP2001/White) LCD X60.16 "USB"		51-J2121-31A
3	Panel Bottom (F)		51-J2137-00
4	VOL Knob (E. Silver)		52-J2130-90E
5	Round Decoration (E-Silver)		52-J2131-90E
6	Open Key (L-Up) (OP0000)		52-J2147-30
7	RE Knob Spring		36-11852-00
8	Power Knob (L-Up) (OPC0000)		52-J2135-01
9	RE Slide Spring		36-11851-00
10	Decoration 01 (OPC0000)		52-J2133-30
11	Decoration 02 (OPC0000)		52-J2136-30
12	Decoration With USB (S. OPC0000)		52-J2141-31W
13	USB Cover (Black)		52-J2063-00
14	SET Knob (OPC0000)		52-J2134-30
15	MUT/LOC/MON Key (L-Up) (OPC0000)		52-J2124-32A
16	1PAU/3RPT/5 Key (L-Up) (OPC0000)		52-J2125-01
17	2SCN/4SHF/6 Key (L-Up) (OPC0000)		52-J2126-01
18	MD Key (Crystal/Purple PMS2572C)		52-C2536-51P
19	Adaptor 01		52-J2138-00
20	BND/EQ Key (L-Up) (OPC0000)		52-J2129-03
21	0 DSP Key (L-Up) (OPC0000)		52-J2128-01
22	8TUNE SKIP/9TUNE SKIP Key (L-Up) (OPC0000)		52-J2127-01
23	AMS Key (Crystal/Purple PMS2572C) 2175		52-C2537-52P
24	Adaptor 02		52-J2140-00
25	B-Light 01		52-J2142-00
26	B-Light 02		52-J2143-00
27	B-Light 03		52-J2145-00
28	Key Board		11-21750-318
29	CD115 ROTATE ENCODER VOL		18-00115-00
30	LCD Cover		39-E2104-01
31	CD-158 TN NGE M. Color PIN TYPE		27-01580-01Y
32	LED B.L. QB02002-09 23.5X99 WHT		02-A1560-09
33	Axis Post		34-24601-00
34	Right Side Block		52-E2128-00
35	Contact Spring		36-78008-00
36	Left Side Block		52-E2129-00
37	E-Ring Ø1.5X4X0.4 MM		35-00001-00
38	Screw Ø1.7X4 PH/ST		40-11704-00
39	Screw Ø2X8 BA/ST Black		40-12008-21

EXPLODED VIEW

CABINET



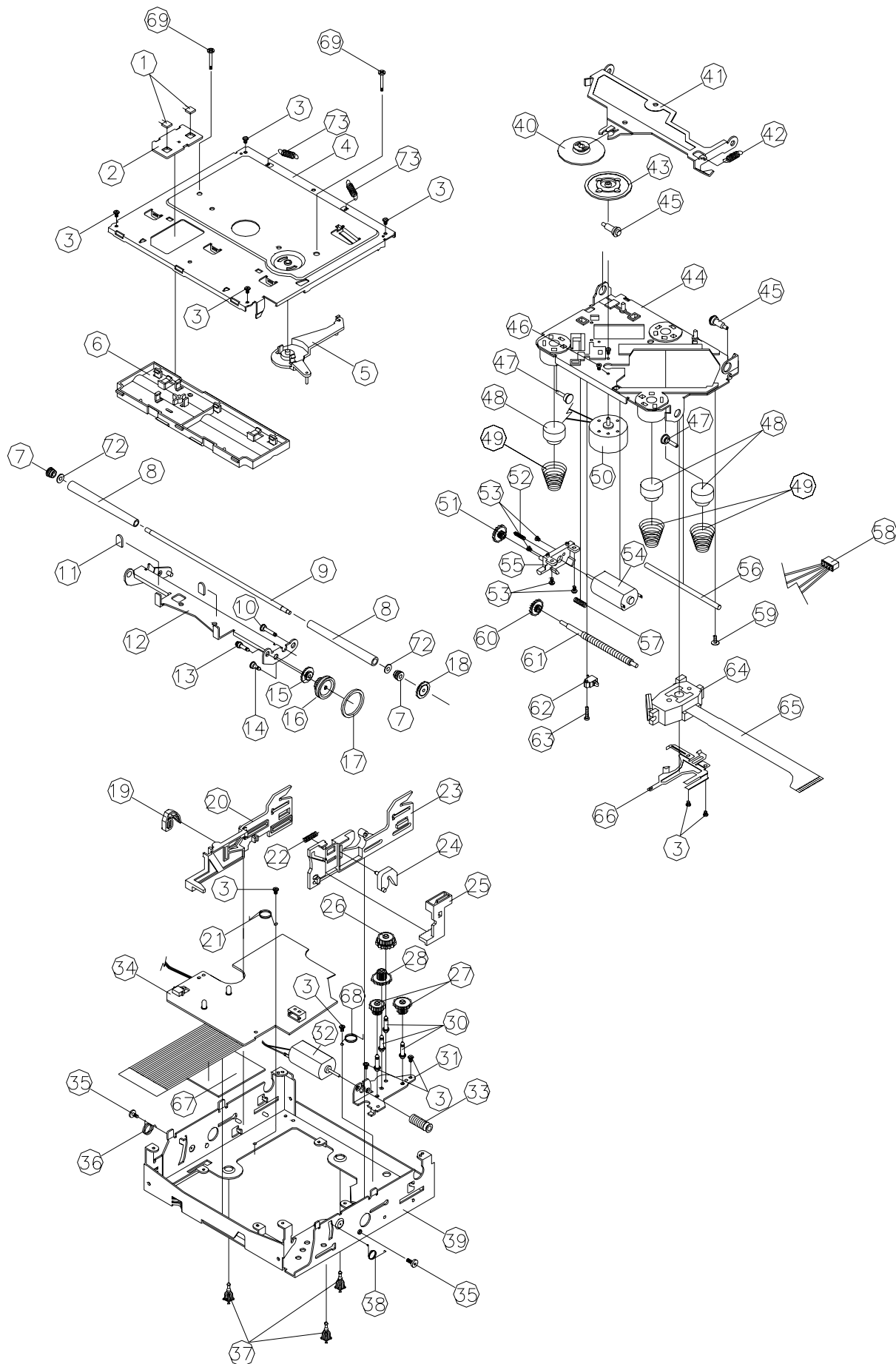
EXPLODED VIEW PARTS LIST

CABINET

Ref. No.	Description	RS Part No.	Mfr's Part No.
1	Panel		
2	Ring (S. OP2001)		51-G2121-30G
3	Base (F) (MMS+SD)		51-E2126-00
4	Side Bracket (CD200/Wire)		61-E2005-04
5	CD MECH. CDM-1684EUK W/O 146A NO BP		94-01684-12
6	Heat Sink (For Wire)		61-E2006-00
7	Top Cabinet		61-B0105-01
8	Bottom Cabinet (For Wire)		61-B0114-01
9	Main Fiber		35-B0101-00
10	Main Board		11-20050-089
11	Mounting Box (072)		61-07211-03
12	Shade		81-69005-02
13	CD Windows Sheet		43-A3103-00
14	Hook Shaft		34-D2101-00
15	Hook Spring		36-E2101-00
16	Hook		52-E2127-00
17	Push Out Spring		36-E2102-00
18	Panel Pole		52-E2126-00
19	Back Light "F" (White)		52-J2150-00W
20	Front Board		11-21761-348
21	20PIN Socket		25-F0217-20A
22	Eject Knob (S. OPC0000) (L-Up)		52-J2149-01
23	Eject Board		11-21761-348
24	Right Bracket		39-E2101-01
25	Damper Gear Ass'y /19-24 T/Q		93-12246-01
26	Middle Gear (F)		52-E2130-00
27	Left Bracket		39-E2102-01
28	Deck Front Bracket		39-E2105-00
29	Deck Rear Bracket		39-B0101-00
30	MITSUMI TUNER FAE391-A01		29-00391-01
31	FM Cover		39-D0507-00
32	IC Bracket (7805)		39-B0115-00
33	SD PCB Board		11-20081-348
34	PCB Bracket (GOODMANS)		39-B0110-00
35	SD PCB Bracket		39-E2013-00
36	Spring Sheet		39-B0102-00
37	Heat Sink (7809/DB435)		39-B0118-00
38	Wire Clip 1.0MM		39-B1415-00
39	Screw Ø5X18 HH		40-05018-04
40	Spring Washer M5		35-50001-00

Ref. No.	Description	RS Part No.	Mfr's Part No.
41	Hexagon Nut M5		35-40005-00
42	Screw Ø2X3 CH/MA Black		40-12003-09H
43	Screw Ø2X4 BH/MS Black		40-12004-21
44	Screw Ø2X6 PA/ST Black		40-12006-20
45	Screw Ø2.6X4 BH/MS		40-02604-01
46	Screw Ø2.6X5 BH/TAPTITE		40-02605-03
47	Screw Ø2.6X6 PH/MS		40-02606-00
48	Screw Ø2.6X6 BH/MS		40-02606-01
49	Screw Ø2.6X6 PH/MS Black		40-02606-20
50	Screw Ø2.6X8 BH/MS		40-02608-01
51	Screw Ø2.6X10 BH/MS		40-02610-01
52	Screw M2.6X20 PH/MS		40-02620-00

EXPLODED VIEW (DECK)



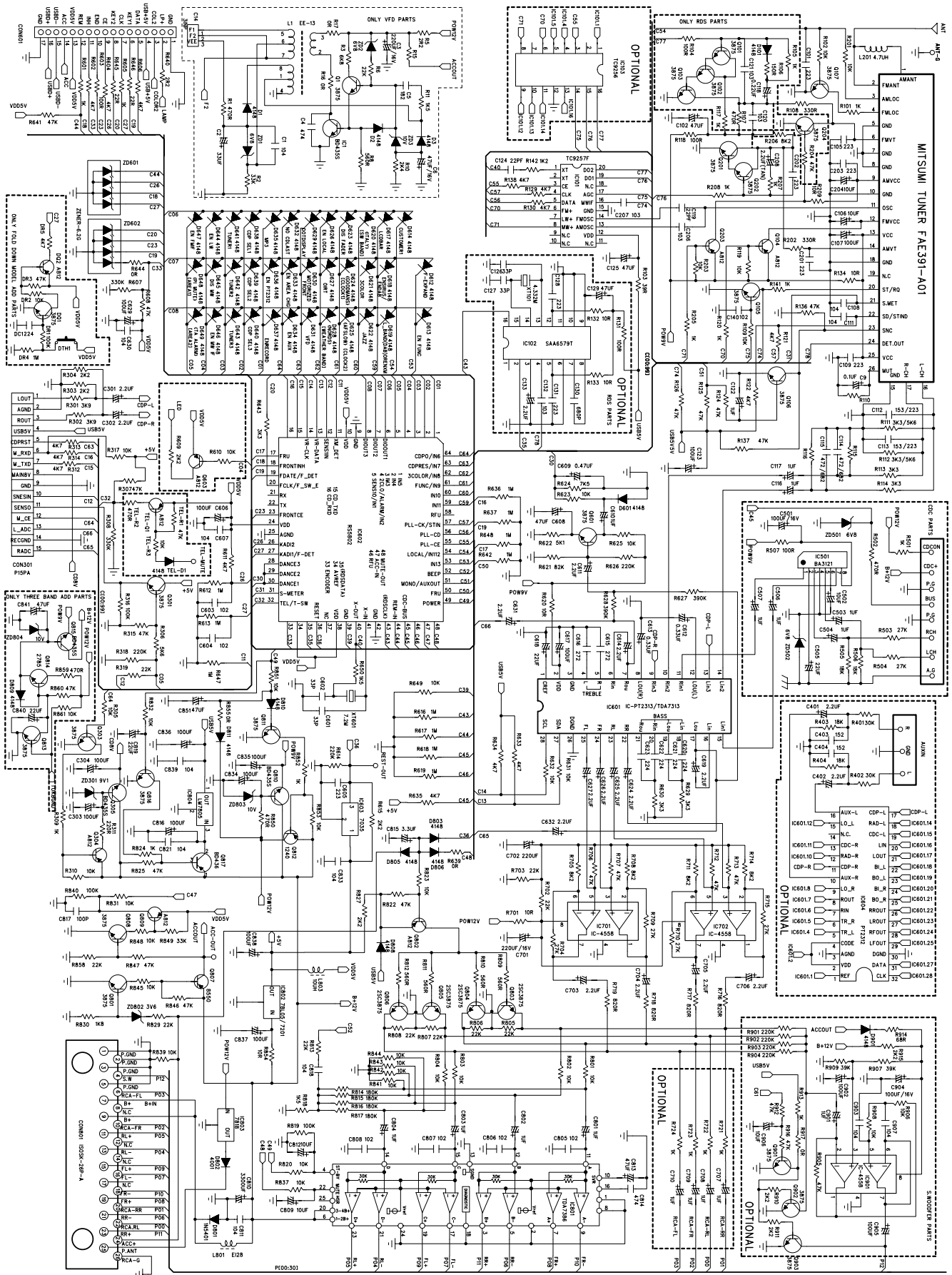
EXPLODED VIEW PARTS LIST (DECK)

Ref. No.	Description	Parts No.	Q'ty
1	SENSOR	ST-23G	2
2	SENSOR PCB	FR	1
3	SCREW	CA/H 0" TT 2*3	12
4	COVER-UPPER	SECC T1.0	1
5	LEVER DISC	POM (F20-03)	1
6	GUIDE UP	POM (F20-03)	1
7	BUSHING ROLLER	POM (F20-03)	2
8	ROLLER DISC	SLICON	2
9	SHAFT ROLLER	SUS 303	1
10	PIN ROLLER	SUM24L-NI (PLATE)	1
11	PVC CAP	PVC	2
12	B/K ROLLER	SECC T1.0	1
13	PIN PULLEY	SUM24L-NI (PLATE)	1
14	PIN IDLE	SUM24L-NI (PLATE)	1
15	GEAR IDLE	POM (F20-03)	1
16	GEAR PULLEY	POM (F20-03)	1
17	BELT PULLEY	CR-WRT	1
18	GEAR ROLLEY	POM (F20-03)	1
19	LOCKER (L)	POM (F20-03)	1
20	CAM (L)	POM (F20-03)	1
21	S/P CAM (L)	SUS304WPB	1
22	S/P RACK	SUS304WPB	1
23	CAM (R)	POM (F20-03)	1
24	LOCKER ®	POM (F20-03)	1
25	GEAR RACK	POM (F20-03)	1
26	GEAR LOAD ©	POM (F20-03)	1
27	GEAR LOAD (D)	POM (F20-03)	1
28	GEAR LOAD (B)	POM (F20-03)	1
29	GEAR LOAD (A)	POM (F20-03)	1
30	PIN LOAD	SUM24L-NI (PLATE)	4
31	B/K GEAR	SECC T1.0	1
32	MOTOR	FF-050SH-11190	1
33	GEAR WORM	POM (F20-03)	1
34	SERVO PCB ASSY	GLASS EPOXY 1.2T	1
35	SPECIAL SCREW	P/H TTS 2*2	4
36	S/P RO (L)	SUS304WPB	1
37	SUPPORT DAMPER	POM (F20-03)	3
38	S/P RO ®	SUS304WPB	1
39	CHASSIS MAIN	SEEC T1.0	1

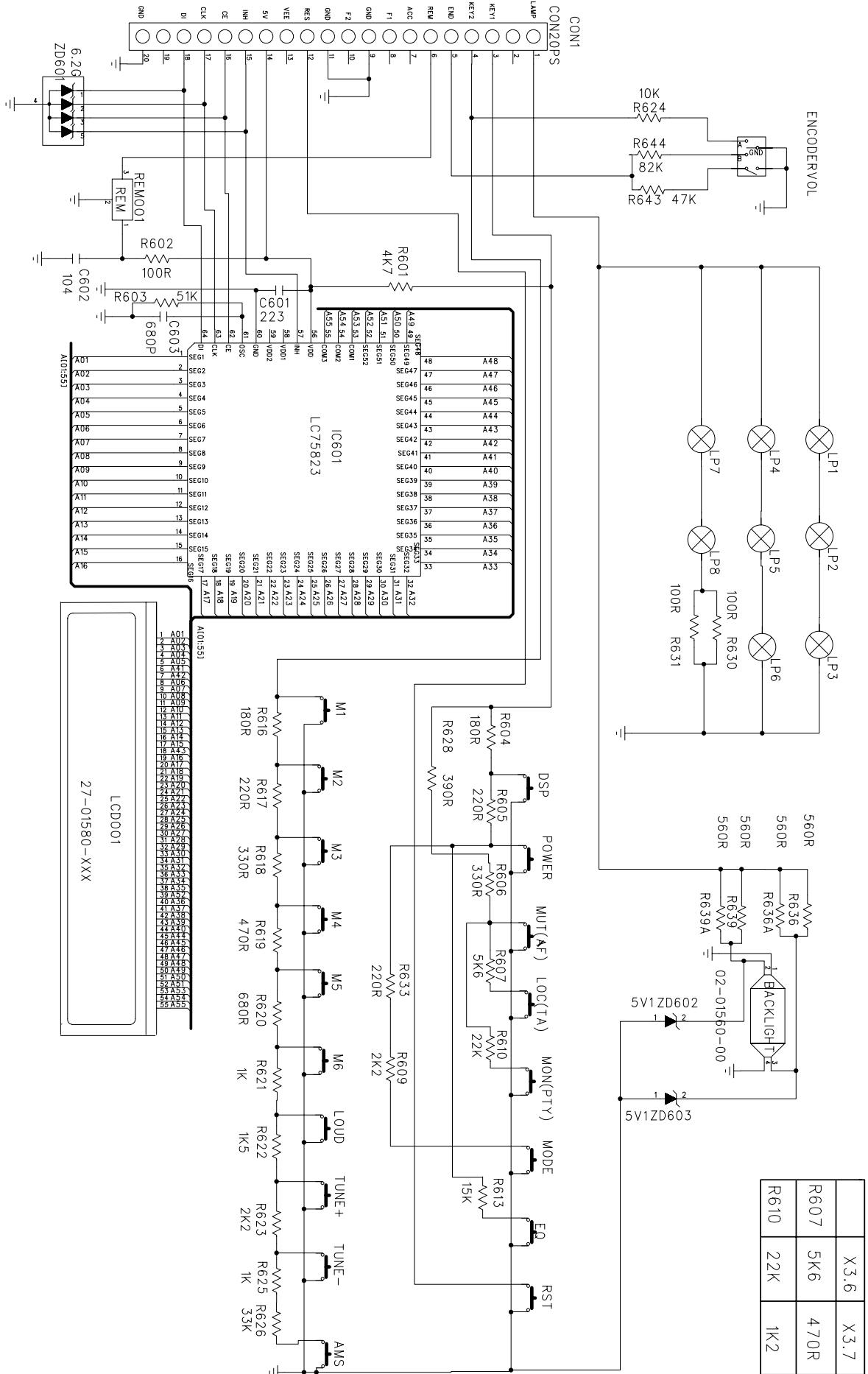
EXPLODED VIEW PARTS LIST - CONTINUED (DECK)

Ref. No.	Description	Parts No.	Q'ty
40	CLAMP DISC	POM (F20-03)	1
41	HOLD CLAMPER	SECC T1.0	1
42	S/P CLAMPER	SUS304WPB	1
43	TURN TABLE	ABS G/F 20%	1
44	BASE PU	POM (F20-03)	1
45	PIN SIDE (A)	SUM24L-NI (PLATE)	2
46	SCREW	CA/H 0" M/S 1.7*2.5	2
47	PIN SIDE (B)	SUM24L-NI(PLATE)	2
48	DAMPER	BUTHYL	1
49	S/P BASE	SUS304WPB	2
50	MOTOR	RF-400CA-12265	1
51	GEAR PU (B)	HYTRELL 5526	1
52	GEAR PU (A)	POM (F20-03)	1
53	SCREW	CA/H 0" M/S 2*2	6
54	MOTOR	FF-050SH-11190	1
55	HOUSING GEAR	POM (F20-03)	1
56	SHAFT PU	KNN11 (PCD18)	1
57	SCREW	R/H (W/W) TTB2*5	1
58	4P CONT WIRE	1007 #28	1
59	SPRING TENSION	SUS304WPB	1
60	GEAR PU ©	POM (F20-03)	1
61	LEAD SCREW	BSBM	1
62	SWITCH	SW-110	1
63	SCREW	B/H TTB1.7*8	1
64	PICK UP	SF-C99	1
65	FPC WIRE	POLY AMIDE	1
66	SPRING PU	SUS T0.2	1
67	FIBER PAPER		1
68	S/P CAM ®	0.55	1
69	TRANSIT SCREW	4.5*18	2
70	INSULATOR COVER	PE	1
71	SWITCH	SW-111	1
72	WASHER PE	PE	2
73	S/P BASE ®	SUS304WPB	2

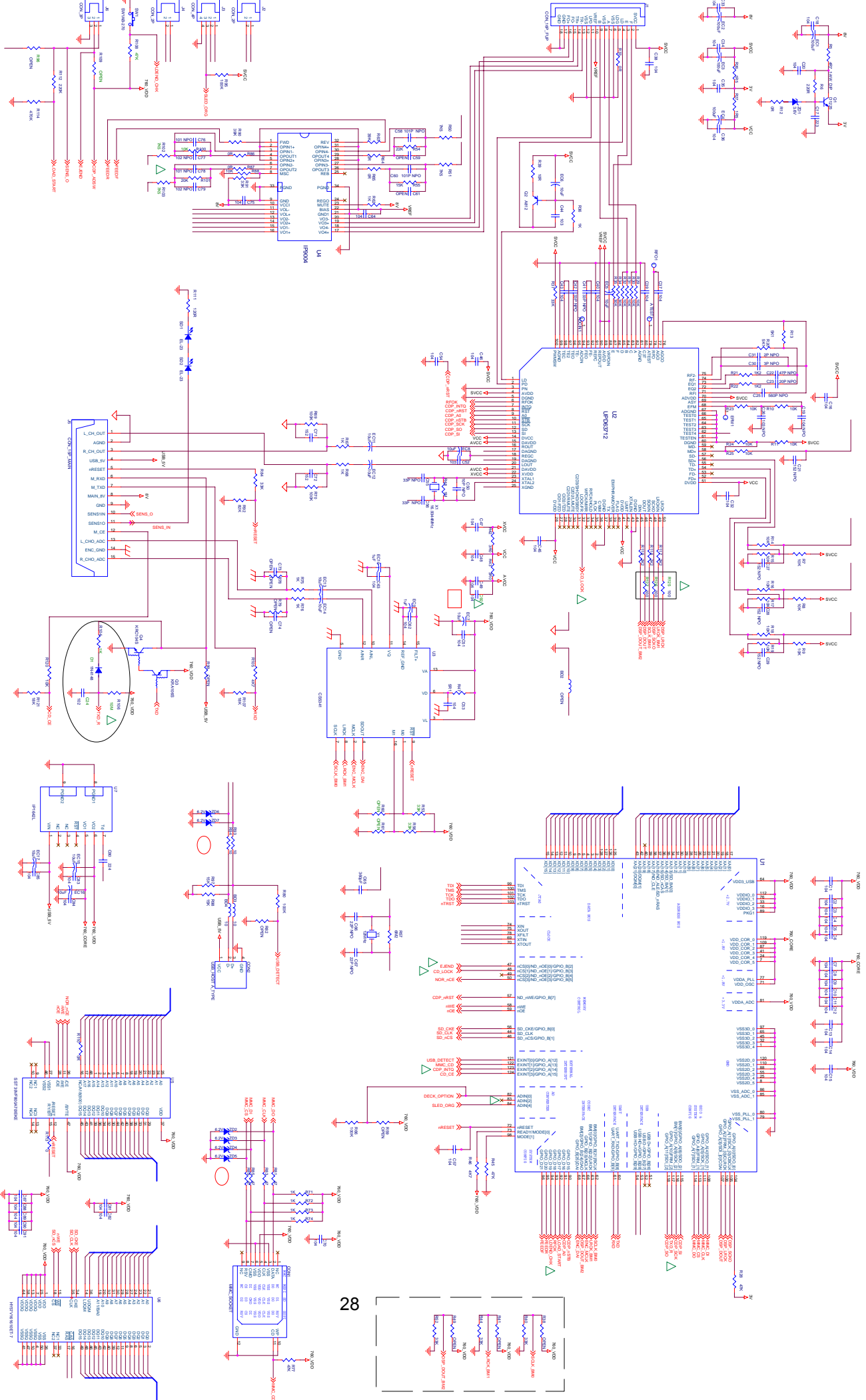
SCHEMATIC DIAGRAM (MAIN BOARD)



SCHEMATIC DIAGRAM (KEY BOARD)



SCHEMATIC DIAGRAM (CD SERVO BOARD)



ELECTRICAL PARTS LIST

Ref. No.	Part No.	Description	Q'ty
PC BOARD ASSY, MAIN BOARD			
Q801	01-00435-00S	TR. BD435 TO-126 FAIRCHLD	1
Q817	01-00435-00S	TR. BD436 PNP TO-126 SAMSUNG	1
Q104,802/9	01-00812-00	TR. 2SA812	3
Q812	01-01240-00	TRANSISTOR B1240	1
Q105~7,601,801/3~6/8,811/6	01-03875-07	TRANSISTOR 2SC3875G	12
IC802	01-07805-00	IC-REGULATOR 78L05	1
Q807	01-08550-03	TR. 8550C TO-92-B	1
ZD601/2	02-00062-07	E.S.D. DIODE NNCD6.2G (5PIN)	2
D802	02-04001-00	DIODE IN4001	1
D601,803/5/6/9	02-04148-00A	DIODE 1N-4148 AT. (TAPPING)	4
D626/8,637,641/7,806,810/1	02-04148-02	DIO CHIP RLS4148 1206 ROHM	8
D801	02-05401-00	DIODE IN5401	1
ZD802	02-50036-00A	ZENER DIODE 3.6V 0.5W AT. $\pm 2\%$	1
ZD803	02-50100-00A	ZENER DIODE 10V 0.5W AT. TAPE $\pm 2\%$	1
IC601	03-02313-00	I.C. PT2313L	1
IC701/2	03-04558-16	I.C. BA-4558F	2
IC602	03-05802-001	CPU RS5802-001 CD+USB+MMC+RDS	1
IC603	03-07035-00	IC KIA7035P	1
IC801	03-07384-00	I.C. TDA7384A (4X40W) "Y"	1
IC804	03-07805-11	REGULATOR L7805CV (GROUND TAP)	1
IC803	03-07818-00	REGULATOR LC-78L18	1
IC101	03-09257-00	I.C. TC-9257F	1
XT601	04-00072-01H	CRYSTAL 702MHZ HC-49U/S 22PF	1
C805~9	05-03102-10D	CHIP CAP 0.001 μ F/50V $\pm 10\%$ X7R 0805 SMT	4
C817	05-63101-00	CHIP 100PF $\pm 5\%$ NPO 0603 SMT	1
C134,140,603/4	05-63102-01	CHIP 1000PF $\pm 10\%$ X7R 0603 SMT	4
C207	05-63103-01	CHIP 0.01 μ F $\pm 10\%$ X7R 0603 SMT	1
C108,110/1,607,811/8/9,833/9	05-63104-01	CHIP 0.1 μ F $\pm 10\%$ X7R 0603 SMT	9
C112/3	05-63153-01	CHIP 0.015 μ F $\pm 10\%$ X7R 0603 SMT	2
C119,124	05-63220-00	CHIP CAP 22PF $\pm 5\%$ NPO 0603 SMT	2
C101/5/9,605	05-63223-01	CHIP 0.022 μ F $\pm 10\%$ X7R 0603 SMT	4
C620~3	05-63224-01	CHIP 0.22 μ F $\pm 10\%$ X7R 0603 SMT	4
C601	05-63270-00	CHIP CAP 27PF $\pm 5\%$ NPO 0603 SMT	1
C615/6	05-63272-01	CHIP 2700PF $\pm 10\%$ X7R 0603 SMT	2
C602	05-63330-00	CHIP CAP 33PF $\pm 5\%$ NPO 0603 SMT	1
C814	05-63474-02	CHIP CAP 0.47 μ F +80/-20% X5R 16V SMT	1
C107,834/6/8	06-10107-01	E. CAP 100 μ F 10V (\emptyset 5X7MM MINI)	4
C123,606,617,835	06-10107-02	E. CAP 100 μ F 10V(6X5) SUPER MINI	4

ELECTRICAL PARTS LIST - CONTINUED

Ref. No.	Part No.	Description	Q'ty
C702	06-10227-01	E. CAP 220 μ F 10V (\varnothing 6MM MINI)	1
C102,125,608,629,813,D811 TO GND	06-10476-01	E. CAP 47 μ F 10V (\varnothing 4X7 MINI)	6
C106,809,812	06-16106-01	E. CAP 10 μ F 16V \varnothing 4X7MM	3
C837	06-16107-01	E. CAP 100 μ F 16V (\varnothing 6.3X7MM)	1
C618,819	06-16226-01	E. CAP 22 μ F 16V (\varnothing 4X7MM)	2
C701	06-16227-00	E. CAP 220 μ F 16V	1
C810	06-16338-00S	E. CAP 3300 μ F 16V 105°C	1
C837	06-16476-02	E. CAP 47 μ F 16V (\varnothing 6.3X5MM)	1
C116/7,122,610/1,801~4	06-50105-01	E. CAP 1 μ F 50V (\varnothing 4X7 MM)	9
C614/9,624~7,631/2,703~6	06-50225-01	E. CAP 2.2 μ F 50V (\varnothing 4X7 MM)	12
C612/3	06-50334-01	E. CAP 0.33 μ F 50V \varnothing 4X7MM	2
C815	06-50335-01	E. CAP 3.3 μ F 50V (\varnothing 4X7MM)	1
C609	06-50474-01	E. CAP 0.47 μ F 50V \varnothing 4X7MM	1
R640	07-05022-10	RES. 2.2 Ω 1/2W	1
R134	07-05047-00	RES. 4.7 Ω 1/4W	1
R701,854	07-05100-00	RES. 10 Ω 1/4W	2
R600,620	07-05100-16A	RES. 10 Ω 1/16W (TAPPING)	2
R118	07-05101-16A	RES. 100 Ω 1/16W (TAPPING)	1
R824	07-05102-16A	RES. 1k Ω 1/16W (TAPPING)	1
R820,832/7	07-05103-16A	RES. 10k Ω 1/16W (TAPPING)	3
R642	07-05105-16A	RES. 1M Ω 1/16W (TAPPING)	1
R645/6	07-05220-16A	RES. 22 Ω 1/16W (TAPPING)	2
R827	07-05222-16A	RES. 2.2k Ω 1/16W (TAPPING)	1
R829	07-05223-16A	RES. 22k Ω 1/16W (TAPPING)	1
R627/8	07-05394-16	RES. 390k Ω 1/16W \pm 5%	2
R129,130/8	07-05472-16A	RES. 4.7k Ω 1/16W (TAPPING)	3
R124,307,825,847	07-05473-16A	RES. 47k Ω 1/16W (TAPPING)	4
R1,2,7,639,644,855	07-63000-00	CHIP RES. 0 Ω \pm 5% 0603 SMT	6
R103	07-63100-00	CHIP RES. 10 Ω \pm 5% 0603 SMT	1
R135,603	07-63101-00	CHIP RES. 100 Ω \pm 5% 0603 SMT	2
R101,120,601/5,852	07-63102-00	CHIP RES. 1k Ω \pm 5% 0603 SMT	5
R102,119,623/5,631/2,801~4,823,831/9,841~5/8,851/3	07-63103-00	CHIP RES. 10k Ω \pm 5% 0603 SMT	21
R819,822	07-63104-00	CHIP RES. 100k Ω \pm 5% 0603 SMT	2
R612/3/6/7/9,636/7,647/8	07-63105-00	CHIP RES. 1M Ω \pm 5% 0603 SMT	9
R142	07-63122-00	CHIP RES. 1.2k Ω \pm 5% 0603 SMT	1
R818	07-63152-00	CHIP RES. 1.5k Ω \pm 5% 0603 SMT	1
R830	07-63182-00	CHIP RES. 1.8k Ω \pm 5% 0603 SMT	1
R814~7	07-63184-00	CHIP RES. 180k Ω \pm 5% 0603 SMT	4

ELECTRICAL PARTS LIST - CONTINUED

Ref. No.	Part No.	Description	Q'ty
R121,615,633/4	07-63222-00	CHIP RES. 2.2kΩ ±5% 0603 SMT	3
R319,702/3,805~8,813,858	07-63223-00	CHIP RES. 22kΩ ±5% 0603 SMT	9
R318,614,626,649	07-63224-00	CHIP RES. 220kΩ ±5% 0603 SMT	4
R704/9,710/5	07-63273-00	CHIP RES. 27kΩ ±5% 0603 SMT	4
R108	07-63331-00	CHIP RES. 330Ω ±5% 0603 SMT	1
R113/4,629,630,643	07-63332-00	CHIP RES. 3.3kΩ ±5% 0603 SMT.	5
R849	07-63333-00	CHIP RES. 33kΩ ±5% 0603 SMT	1
R607	07-63334-00	CHIP RES. 330kΩ ±5% 0603 SMT	1
R135,140,850	07-63471-00	CHIP RES. 470Ω ±5% 0603 SMT	3
R122,602/4/6,611,840	07-63472-00	CHIP RES. 4.7kΩ ±5% 0603 SMT	6
R125/6,608,641,706/7,712/3,822,846/7	07-63473-00	CHIP RES. 47kΩ ±5% 0603 SMT	11
R622	07-63512-00	CHIP RES. 5.1k ±5% 0603 SMT	1
R809~12	07-63561-00	CHIP RES. 560Ω ±5% 0603 SMT	4
R624	07-63752-00	CHIP RES. 7.5kΩ ±5% 0603 SMT	1
R716~9	07-63821-00	CHIP RES. 820Ω ±5% 0603 SMT	4
R705/8,711/4	07-63822-00	CHIP RES. 8.2kΩ ±5% 0603 SMT	4
R621	07-63823-00	CHIP RES. 82kΩ ±5% 0603 SMT	1
L803	09-70100-01	MICRO INDUCTOR 10UH AXIAL TYPE	1
JMP102	09-70470-04	M. INDUCTOR AL03T04R7 (AXIAL)	1
MB	11-20050-089	CD200Y (USB) 182X152X1.6MM	1
L801	15-27012-11	RING COIL Ø27X12MM V-TYPE (XC-169-110μH)	1
PC BOARD ASSY, FM TUNER SECTION			
C114/5	05-63682-01	CHIP 6800PF ±10% X7R 0603 SMT	2
R141	07-05222-16A	RES. 2.2kΩ 1/16W (TAPPING)	1
R111/2	07-63562-00	CHIP RES 5.6kΩ ±5% 0603 SMT	2
TUNER	29-00391-01	mitsumi TUNER FAE391-A01	1
PC BOARD ASSY, AM TUNER SECTION			
Q203	01-00812-00	TR. 2SA812	1
Q201/2	01-03875-07	TRANSISTOR 2SC3875G	2
D641/6	02-04148-02	DIODE CHIP RLS4148 1206 ROHM	2
C208	05-16225-00	TAN CAP. 2.2μF 16V	1
C206	05-63050-00	CHIP CAP 5PF ±5% NPO 0603 SMT	1
C201~3	05-63223-01	CHIP 0.022μF ±10% X7R 0603 SMT	3
C204	06-16106-02E	E. CAP. 10μF/16V (4X5MM RC3)	1
R209	07-05100-16A	RES 10Ω 1/16W (TAPPING)	1
R205/7/8	07-63102-00	CHIP RES 1kΩ ±5% 0603 SMT	3
R201/3	07-63103-00	CHIP RES 10kΩ ±5% 0603 SMT	2
R202	07-63331-00	CHIP RES 330Ω ±5% 0603 SMT	1
R206	07-63822-00	CHIP RES 8.2kΩ ±5% 0603 SMT	1
L201	09-70470-04	M. INDUCTOR AL03TO4R7 (AXIAL)	1

ELECTRICAL PARTS LIST - CONTINUED

Ref. No.	Part No.	Description	Q'ty
PC BOARD ASSY, KEY BOARD			
ZD601	02-00062-07	E.S.D. DIODE NNCD6.2G (5PIN)	1
	02-A1560-09	LED B.LIGHT QB02002-09 23.5X99 WHT	1
DLP1~8	02-30553-60T	P. LAMP AA 3V 60MA Ø3X5.5 K.T.	8
ZD602/3	02-50051-00A	ZENER DIODE 5.1V 0.5W AT. ±2%	2
IC601	03-75823-00	IC LC75823ED	1
C601	05-63223-01	CHIP 0.022µF ±10% X7R 0603 SMT	1
C603	05-63681-00	CHIP 680PF ±5% NPO 0603 SMT	1
R630/1	07-05101-00	RES 100Ω 1/4W	2
R621/5	07-63102-00	CHIP RES 1kΩ ±5% 0603 SMT	2
R624	07-63103-00	CHIP RES 10kΩ ±5% 0603 SMT	1
R610 (PTY)	07-63122-00	CHIP RES 1.2kΩ ±5% 0603 SMT	1
R622	07-63152-00	CHIP RES 1.5kΩ ±5% 0603 SMT	1
R613	07-63153-00	CHIP RES 15kΩ ±5% 0603 SMT	1
R604,616	07-63181-00	CHIP RES 180Ω ±5% 0603 SMT	2
R605,617,633	07-63221-00	CHIP RES 220Ω ±5% 0603 SMT	3
R609,623	07-63222-00	CHIP RES 2.2kΩ ±5% 0603 SMT	2
R606,618	07-63331-00	CHIP RES 330Ω ±5% 0603 SMT	2
R626	07-63333-00	CHIP RES 33kΩ ±5% 0603 SMT	1
R628	07-63391-00	CHIP RES 390Ω ±5% 0603 SM	1
R619,607(TA)	07-63471-00	CHIP RES 470Ω ±5% 0603 SMT	2
R643	07-63473-00	CHIP RES 47kΩ ±5% 0603 SMT	1
R603	07-63513-00	CHIP RES 51kΩ ±5% 0603 SMT	2
R636/A,639/A	07-63561-00	CHIP RES 560Ω ±5% 0603 SM	4
R620	07-63681-00	CHIP RES 680Ω ±5% 0603 SMT	1
R644	07-63823-00	CHIP RES 82kΩ ±5% 0603 SMT	1
KB	11-21750-318	CD-F2175 KB LCD D/S 1.2X180X42.5MM	1
USB BOARD	11-21750-338	CD-2175 USB BOARD 1.2X18X7.0MM	1
SW	16-01107-02K	TACT SW. DCT/1101 4.3MM 2 PIN	17
POWER	16-01140-04	TACT SW. KIE KPT-1107CD 4.3M 2PIN RED	1
PC BOARD ASSY, SDK/CD SERVO BOARD			
Q4	01-00103-00	TR. KRC103S	1
Q3	01-00103-01	TR. KEC A103S PNP SOT-23	1
Q305	01-00435-00S	TR. BD435 NPN TO-126 SAMSUNG	1
Q2,304	01-00812-00	TR. 2SA812	2
Q1	01-01225-13	TRANSISTOR 2SD1225M	1
Q301/3	01-03875-07	TRANSISTOR 2SC3875G	1
SD1,2	02-00144-00	IR LED MIE 144A1MC	2
D1	02-04148-00A	DIODE IN-4148 AT. (TAPPING)	1

ELECTRICAL PARTS LIST - CONTINUED

Ref. No.	Part No.	Description	Q'ty
ZD1	02-50036-00	ZENER DIODE 3.6V ±5% 0.5W	1
D2~7	02-50062-54	ZENER DIODE SMD 6.2V (LLDS) 1206	6
ZD301	02-50091-00A	ZENER DIODE 9.1V ±5% 0.5W AT.	1
U1	03-00760-00	USB+MMC (SD) DSP TCC760 TQFP-128 TELECHIPS	1
U7	03-01642-00	VOLTAGE LDO REGULATOR IC IP1642L INTERPION	1
U3	03-05341-00	A/D CONVERTER IC CS5341-DZZ CIRRUS LOGIC	1
U4	03-09004-00	IC 5-CH MOTOR DRIVER IP9004 INTERPION	1
U6	03-16161-00	1MX16 SDRAM HU57V161610ET-71 TSOP-50 HYNIX	1
U5	03-39800-00	SST FLASH 39VF 800A-70-4I-EK TSOP-48	1
U2	03-63712-00	IC μPD 637120NEC LQFP100	1
Y1	04-00120-02	CRYSTAL HC-49/US 12MHZ	1
X1	04-00169-00	CRYSTAL HC-49/US 16.9344MHZ	1
EC9,10	05-16105-00	TAN CAP 10UF 16V ±10%	2
EC5~8,11~7	05-16106-10	TAN CAP 10UF 16V ±10% 1206 SMD	11
C31	05-63020-00	CHIP CAP 2PF ±5% NPO 0603 SMT	1
C30	05-63030-00	CHIP CAP 3PF/50V ±5% NPO 0603 SMT	1
C58,60,76/8	05-63101-00	CHIP 100PF ±5% NPO 0603 SMT	4
C24,77/9,93	05-63102-01	CHIP 1000PF ±10% X7R 0603 SMT	4
C26,44,52	05-63103-01	CHIP 0.01μF ±10% X7R 0603 SMT	3
C1~16/8~20,32~40/3/5~9,51/3/4/7,62~4,7 0/5,81~5/7~92	05-63104-01	CHIP 0.1μF ±10% X7R 0603 SMT	54
C21/7~9,71/2	05-63152-01	CHIP 1500PF ±10% X7R 0603 SMT	6
C23	05-63200-00	CHIP CAP 20PF ±5% NPO 0603 SMT	1
C66/7	05-63220-00	CHIP CAP 22PF ±5% NPO 0603 SMT	2
C17	05-63223-01	CHIP 0.022μF ±10% X7R 0603 SMT	1
C80	07-63224-01	CHIP 0.22μF ±10% X7R 0603 SMT	1
C41/2,55/6	05-63330-00	CHIP CAP 33PF ±5% NPO 0603 SMT	4
C57	05-63334-01	CHIP 0.33μF ±10% X7R 0603 SMT	1
C65	05-63361-00	CHIP 360PF ±10% 0603 SMT	1
C22	05-63470-00	CHIP CAP 47PF ±5% NPO 0603 SMT	1
C25	05-63561-00	CHIP 560PF ±5% NPO 0603 SMT	1
C86	05-63683-01	CHIP 0.068μF ±10% X7R 0603 SMT	1
C303/4	06-10107-02	E. CAP 100μF 10V (6X5) SUPER MINI	2
EC1,2	06-16107-54	E. CAP CHIP 100μF 16V Ø6.3X5.5	2
EC3,4	06-16107-55	TAN CAP 100μF/16V SMD (7.3X4.3X2.8)	2
C301/2	06-50225-02	E. CAP 2.2μF 50V (4X5)	2
R5	07-05047-00	RES. 4.7 Ω 1/4W	1
R305	07-05103-16A	RES. 1kΩ 1/16W (TAPPING)	1
R12,33,64/5,86/7,110/3	07-63000-00	CHIP RES 0Ω 0603 SMT	8

ELECTRICAL PARTS LIST - CONTINUED

Ref. No.	Part No.	Description	Q'ty
R26/7	07-63015-00	CHIP RES 1.5Ω 0603 SMT	2
R42/3	07-63030-00	CHIP RES 3.0Ω ±5% 0603 SMT	2
R47	07-63051-00	CHIP RES 5.1Ω ±5% 0603 SMT	1
R39,93/4	07-63100-00	CHIP RES 10Ω ±5% 0603 SMT	3
R125~7	07-63101-00	CHIP RES 100Ω ±5% 0603 SMT	3
R36,62/7/8,71~6,104,309	07-63102-00	CHIP RES 1kΩ ±5% 0603 SMT	12
R7~11/4~9,23~5/9~32,88,100,120,310/7	07-63103-00	CHIP RES 10kΩ ±5% 0603 SMT	23
R66/9,70,80,95,316	07-63104-00	CHIP RES 100kΩ ±5% 0603 SMT	6
R48,57	07-63105-00	CHIP RES 1MΩ ±5% 0603 SMT	2
R106	07-63106-00	CHIP RES 10MΩ ±5% 0603 SMT	1
R111	07-63121-00	CHIP RES 120Ω ±5% 0603 SMT	1
R21/2	07-63122-00	CHIP RES 1.2kΩ ±5% 0603 SMT	2
R51	07-63123-00	CHIP RES 12kΩ ±5% 0603 SMT	1
R198	07-63151-00	CHIP RES 150Ω ±5% 0603 SMT	1
R55,97/8	07-63153-00	CHIP RES 15kΩ ±5% 0603 SMT	3
R107,121	07-63183-00	CHIP RES 18kΩ ±5% 0603 SMT	2
R101	07-63203-00	CHIP RES 20kΩ ±5% 0603 SMT	1
R6,311	07-63221-00	CHIP RES 220Ω ±5% 0603 SMT	2
R117~9,303/4	07-63222-00	CHIP RES 2.2kΩ ±5% 0603 SMT	5
R54,307	07-63223-00	CHIP RES 22kΩ ±5% 0603 SMT	2
R112	07-63224-00	CHIP RES. 220kΩ ±5% 0603 SMT	1
R103,199,200	07-63272-00	CHIP RES 2.7kΩ ±5% 0603 SMT	3
R34/5	07-63303-00	CHIP RES. 30kΩ ±5% 0603 SMT	2
R37,40/4,52/3/6,84,91	07-63333-00	CHIP RES 33kΩ ±5% 0603 SMT	8
R308	07-63334-00	CHIP RES. 330kΩ ±5% 0603 SMT	1
R301/2	07-63392-00	CHIP RES 3.9kΩ ±5% 0603 SMT	2
R63,90	07-63393-00	CHIP RES 39kΩ ±5% 0603 SMT	2
R81/3/5/9	07-63470-00	CHIP RES 47Ω ±5% 0603 SMT	4
R46,102/5,312~4	07-63472-00	CHIP RES 4.7kΩ ±5% 0603 SMT	6
R28,45,77,108,315	07-63473-00	CHIP RES. 47kΩ ±5% 0603 SMT	5
R114	07-63474-00	CHIP RES 470kΩ ±5% 0603 SMT	1
R13,20	07-63512-00	CHIP RES 5.1kΩ ±5% 0603 SMT	2
R306	07-63562-00	CHIP RES 5.6kΩ ±5% 0603 SMT	1
R127	07-63563-00	CHIP RES 56kΩ ±5% 0603 SMT	1
R306	07-63562-00	CHIP RES. 5.6kΩ ±5% 0603 SMT	1
R25	07-63622-00	CHIP RES 6.2kΩ ±5% 0603 SMT	1
R50	07-63752-00	CHIP RES. 7.5kΩ ±5% 0603 SMT	1
R92	07-63823-00	CHIP RES 82kΩ ±5% 0603 SMT	1
BD3,4	09-31601-00	EMIFIL (SMD) BLM319601SG	2

ELECTRICAL PARTS LIST - CONTINUED

Ref. No.	Part No.	Description	Q'ty
SW1	11-20081-348	CD2008 (SD+MMC CARD) BOARD 45X35	1
	12-05802-130	PCB USB SB D/S 110X101X1.2MM 64MB SDRAM	1
	16-00033-01	MICRO SWITCH MPU10371MLBO (MIC)	1
PC BOARD ASSY, LINE OUT SECTION			
C707/8	06-50105-03	E. CAP 1 μ F 50V (\varnothing 4X5MM)	2
R721/2	07-63102-00	CHIP RES 1k Ω \pm 5% 0603 SMT	2
RCA	20-20360-08	RCA CABLE WIRE 360MM GREY	1
PC BOARD ASSY, FRONT BOARD			
Q815	01-00435-00S	TR. BD435 NPN TO-126 FAIRCHLD	1
Q603,DQ2	01-00812-00	TR. 2SA812	2
Q813/4,DQ1	01-03875-07	TRANSISTOR 2SC3875G	3
Q1	01-08050-03	TR. 8050C TO-92-B	1
D809	02-0112-06M	SMD LED S172DNB4-5 0805 BLUE	1
	02-04148-00A	DIODE IN-4148 AT. (TAPPING)	1
	02-30000-12	LED \varnothing 3MM RED (WIDE ANGLE)	1
	02-30703-40J	PLAMP 3V 40MM 3X7 K.T.	1
ZD804	02-50100-00A	ZENER DIODE 10V 0.5W AT. TAPE \pm 2%	1
DC1	05-63224-01	CHIP 0.22 μ F \pm 10% X7R 0603 SMT	1
C840	06-16226-01	E. CAP 22 μ F 16V (\varnothing 4X7MM)	1
C841	06-16476-01	E. CAP 47 μ F 16V (\varnothing 5X7MM)	1
R2	07-05221-00	RES 220 Ω 1/4W	1
R609	07-05222-16A	RES 2.2k Ω 1/16W (TAPPING)	1
R7,610,861,DR2	07-63103-00	CHIP RES 10k Ω \pm 5% 0603 SMT	4
R1,DR1	07-63104-00	CHIP RES 100k Ω \pm 5% 0603 SMT	1
DR4	07-63105-00	CHIP RES 1M Ω \pm 5% 0603 SMT	1
R4,5	07-63222-00	CHIP RES 2.2k Ω \pm 5% 0603 SMT	2
R3	07-63393-00	CHIP RES 39k Ω \pm 5% 0603 SMT	1
R859	07-63471-00	CHIP RES 470 Ω \pm 5% 0603 SMT	1
R6,DR5	07-63472-00	CHIP RES 4.7k Ω \pm 5% 0603 SMT	2
R860,DR3	07-63473-00	CHIP RES 47k Ω \pm 5% 0603 SMT	2
EJ	11-21761-348	CD-F2176 FB/EJ PCB 1.2X81.4X28MM	1
	16-01140-04A	TACT SW KPS-1107SW TAPPING	1
	16-51377-00A	PUSH SW SPPB51 "ALPS"	1
	25-00100-06	RAINBOW WIRE #30 6PIN 100MM	1
	25-00100-07	RAINBOW WIRE #30 7PIN 100MM	1
	25-00100-08	RAINBOW WIRE #30 8PIN 100MM	1
	25-32145-02	RAINBOW WIRE #32 145MM 2PIN	1
	25-F0217-20A	20PIN SOCKET (A)	1

SPECIFICATIONS

T. H. D.....	Less than 0.35%
Signal to Noise Ratio	More than 60 dB
Channel Separation	More than 60 dB
Frequency Response	20Hz-20kHz
Stereo Separating (FM)	30 dB (at 1kHz)
Signal to Noise Ratio (FM)	Better than 50 dB
Output Power	4 X 40W
Speaker Output Impedance.....	4 To 8 ohm
Power Source	DC 12V, Negative ground.
Frequency Range	FM 87.5 - 108MHz
.....	MW 522 -1620 kHz
.....	LW 144 -288 kHz
Sensitivity.....	FM 3 μ V (S/N=30dB)
.....	MW 32 dB μ (S/N=20 dB)
.....	LW 35 dB μ (S/N=20 dB)

Specifications are subject to change without notice.